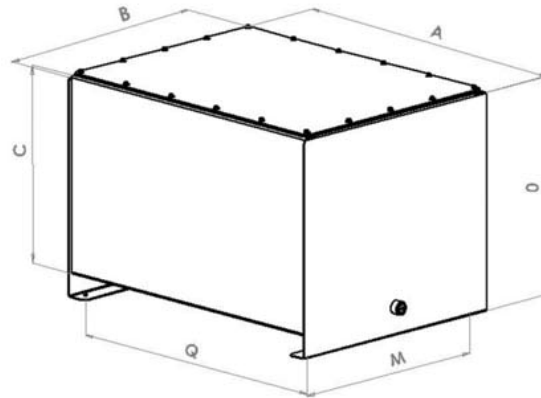




Standard Hydraulic Tanks CF Range



Each Tank comes complete with lid, bolts, gasket and drain plug.

The standard finish for CF tanks is grey primer (as shown above).

Extras can be added on request:

Filler breather, level gauge, inspection plate & bell housing mounting holes.

Finishes available include colour matching & powder coating.

Oil Tank Part No	Capacity Litres	Length A	Width B	Height C	Thickness Tank	Thickness Lid	Hole/Ctrs M	Height O	Hole/Ctrs Q
CF12	14	335	270	235	3	4	208	290	285
CF16	22	410	325	250	3	4	270	305	364
CF30	39	470	375	280	3	4	312	335	428
CF55	58	600	470	310	3	4	401	365	548
CF75	75	600	470	400	3	4	401	455	548
CF100	100	675	520	450	3	4	455	505	625
CF180	165	805	620	500	3	4	555	555	755
CF225	225	900	620	435	3	5	585	485	850
CF350	350	1230	750	420	4	5	685	470	1180
CF450	450	1230	900	460	4	5	835	510	1180
CF600	600	1230	850	650	5	6	785	700	1180
CF750	750	1230	850	750	5	6	785	800	1180
CF850	850	1480	830	750	5	6	770	800	1430
CF1000	1000	1480	1000	730	5	6	935	780	1430

All measurements shown are in millimetres