



HYDRAULIC MEGASTORE

Serving the Hydraulics Industry Worldwide

BVC-3 SERIES

3 WAY HIGH PRESSURE

BALL VALVES

Holmbury BVC-3 ball valves are designed to suit a wide range of applications including mobile plant and industrial equipment.

These valves should not be used as flow control valves and should therefore always be fully open or fully closed.

FEATURES

-Full bore valves provide an unrestricted flow path for negligible pressure drop.

-Floating ball on pre-compressed seals minimises wear and provides an excellent seal at positive and negative pressures.

-Operating temperatures from -20°C to +100°C.

-Open to close in 1/4 turn (90°).

-Cranked handles are incorporated to provide good clearance for the operator's hands.

ORDER CODES

BVC-3 - 06 - 04 G - L - 1 - 1

Ball valve
3 way

Body Size:

06	25
10	32
12	40
19	50

Thread Size (dash system)

04 = 1/4"	16 = 1"
06 = 3/8"	20 = 1 1/4"
08 = 1/2"	24 = 1 1/2"
12 = 3/4"	32 = 2"

Thread Form:

G = BSP P, N = NPT, S = SAE

Port options:

L = L Ports, T = T Ports

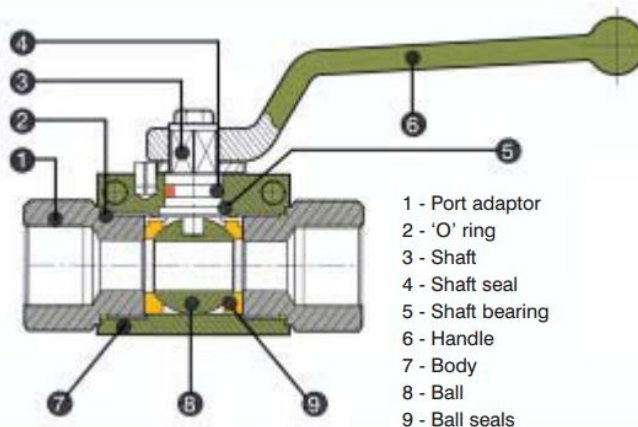
Ball Seals

1 = DELRIN, 2 = PTFE

Shaft seals

1 = Nitrile, 2 = Viton

Any other necessary information

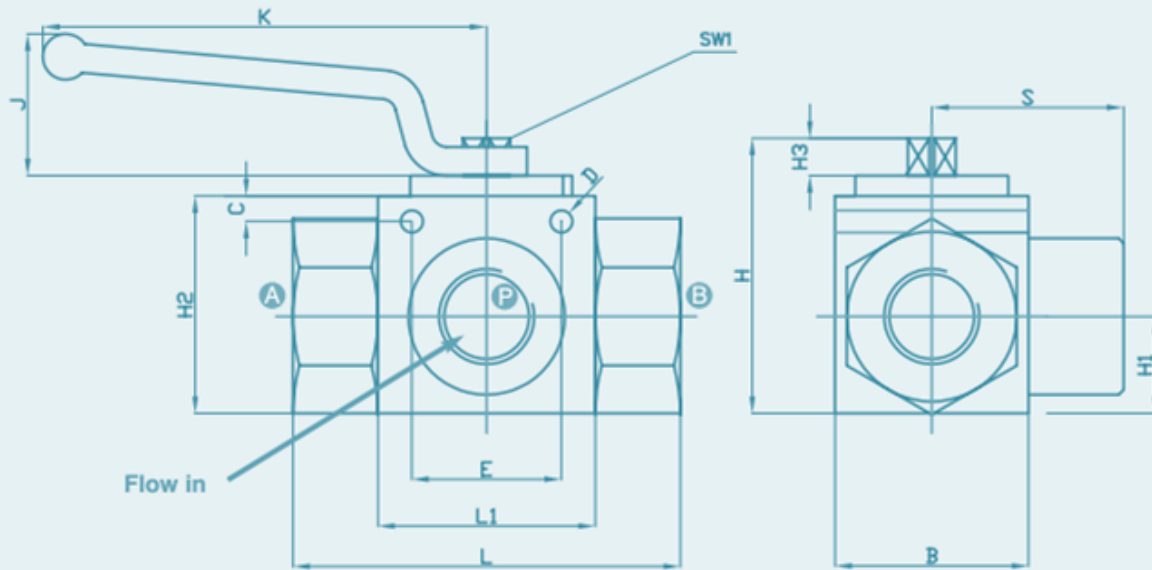


- 1 - Port adaptor
- 2 - 'O' ring
- 3 - Shaft
- 4 - Shaft seal
- 5 - Shaft bearing
- 6 - Handle
- 7 - Body
- 8 - Ball
- 9 - Ball seals

MATERIALS

- Body and port adaptor are zinc plated steel (38SMn PB 10).
- Handle - steel forging, zinc plated.
- Ball - carbon steel.
- Ball seals - DELRIN (polyacetalic resin)
- Shaft seal - nitrile

3 WAY BALL VALVES



Code	ND	Max W.P Bar	L	L1	B	H	H1	H2	H3	E	D	C	SW1	S	K	J
BVS-3-06-04G-L-1-1	6	315	69	37	28	44.5	13	32	8	26	5	4.5	9	35	135	40
BVS-3-10-06G-L-1-1	10	315	72	42	35	52.5	17	40	8	32	5	6.5	9	36	135	40
BVS-3-12-08G-L-1-1	13	315	83	48	35	52.5	17	40	8	37.5	4.8	6.5	9	42	135	40
BVS-3-19-12G-L-1-1	20	315	95	60	48	75	24	57	12	45	6.5	6.5	14	49	181	61
BVS-3-25-16G-L-1-1	25	315	113	65	57	82	28.5	64	12	55	6	6.7	14	56.5	181	61
BVS-3-32-20G-L-1-1	32	315	110	84	75	104.5	37.5	84	14	55	6	6.7	17	55	221	75
BVS-3-40-24G-L-1-1*	40	315	130	91	85	115.5	42.5	95	14	Not applicable			17	65	221	75
BVS-3-50-32G-L-1-1*	50	315	140	100	105	133	52.5	112.5	14	Not applicable			17	70	221	75

* Mounting holes not provided with valve sizes 40 and 50

PORT OPTIONS



NOTE: 'L' ported valves are standard. 'T' ported valves available on request