



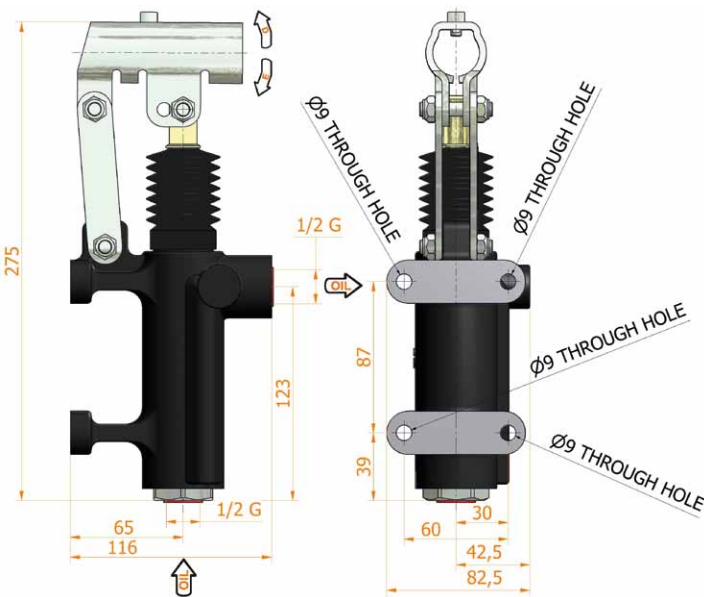
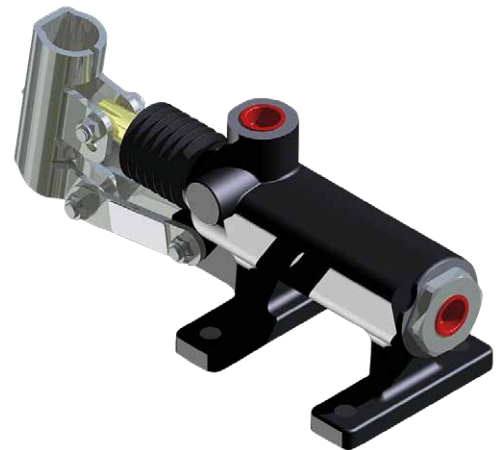
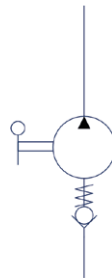
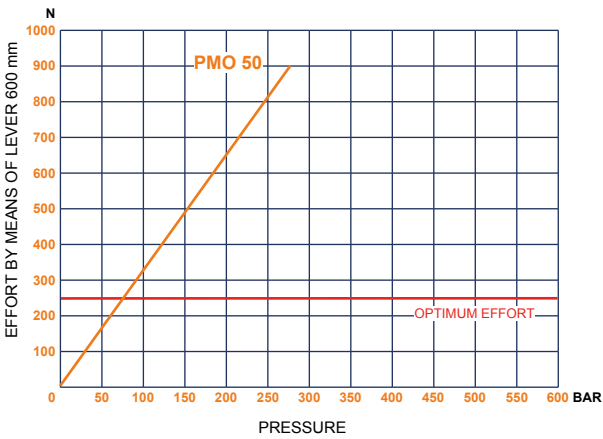
HYDRAULIC MEGASTORE

Serving the Hydraulics Industry Worldwide

Double-acting hand pump for a single-acting cylinder.
 Assembling in-line.
 Displacement: 50 - 70 cc

EFFORT DIAGRAM

pin in E (distance between centers: 51 mm)



- Specifications:**
- Cast iron body
 - Piston treated with Niploy
 - White zinc plated support lever
 - Lever connection Ø 27
 - White zinc plated external parts
 - Standard colour black

DISPLACEMENT cm ³	A mm	B mm	C mm	D °	E °	ACTUAL DISPLACEMENT cm ³	PRESSURE BAR		MASS KG	CODE WITH BELLOWS
							OPTIMAL	MAX		
50	--	--	--	38	37	43,825	80	280	3,400	PMO50-E-S



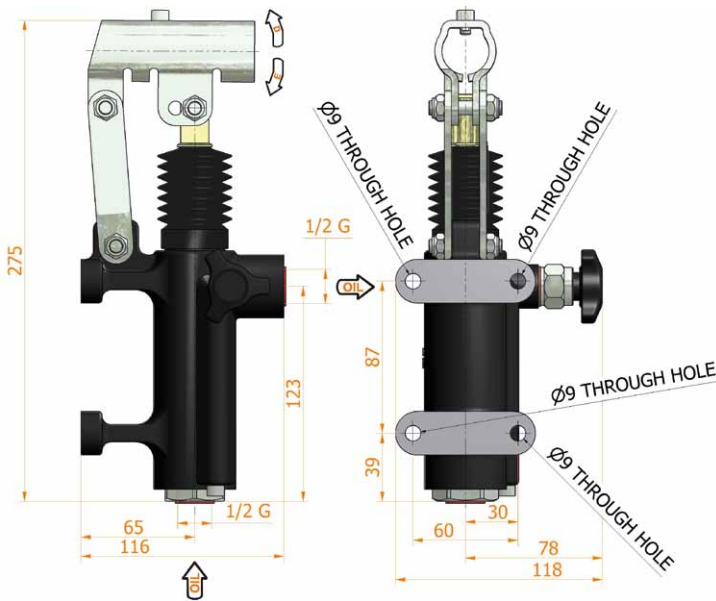
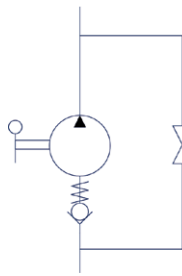
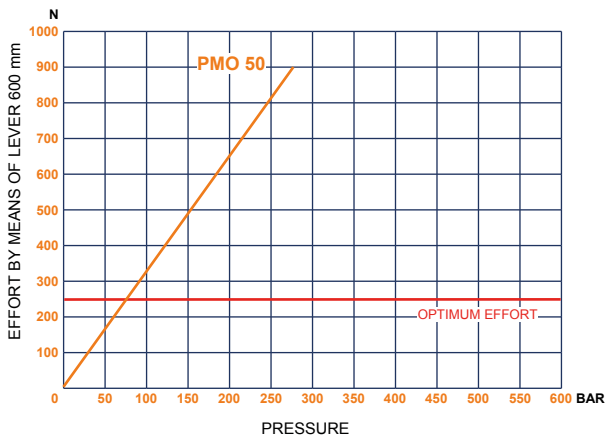
HYDRAULIC MEGASTORE

Serving the Hydraulics Industry Worldwide

Double-acting hand pump for a single-acting cylinder.
 Assembling in-line.
 Displacement: 50 - 70 cc

EFFORT DIAGRAM

pin in E (distance between centers: 51 mm)



Specifications:

- Cast iron body
- Piston treated with Niploy
- White zinc plated support lever
- Lever connection Ø 27
- White zinc plated external parts
- Standard colour black

DISPLACEMENT cm ³	A mm	B mm	C mm	D °	E °	ACTUAL DISPLACEMENT cm ³	PRESSURE BAR		MASS KG	CODE WITH BELLOWS
							OPTIMAL	MAX		
50	--	--	--	38	37	43,825	80	280	3,400	PM050-S



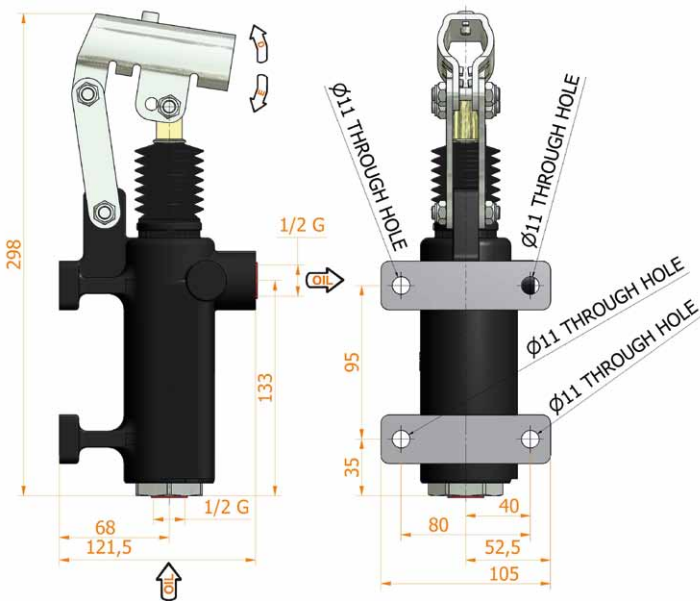
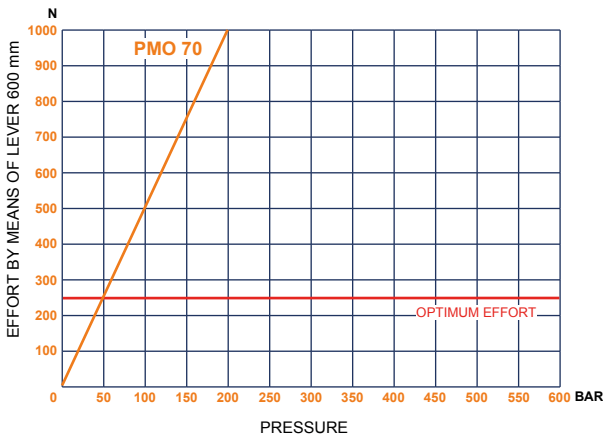
HYDRAULIC MEGASTORE

Serving the Hydraulics Industry Worldwide

Double-acting hand pump for a single-acting cylinder.
Assembling in-line.
Displacement: 50 - 70 cc

EFFORT DIAGRAM

pin in E (distance between centers: 51 mm)



Specifications:

- Cast iron body
- Piston treated with Niploy
- White zinc plated support lever
- Lever connection Ø 27
- White zinc plated external parts
- Standard colour black

DISPLACEMENT cm ³	A mm	B mm	C mm	D °	E °	ACTUAL DISPLACEMENT cm ³	PRESSURE BAR		MASS KG	CODE WITH BELLOWS
							OPTIMAL	MAX		
70	--	--	--	45	40	70,233	50	200	5,100	PMO70-E-S



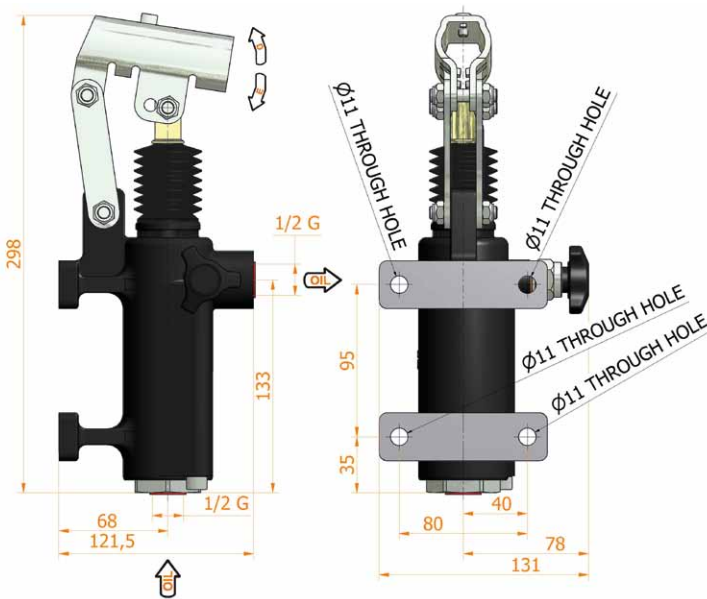
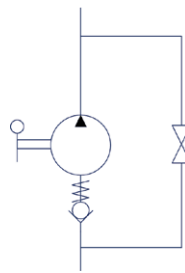
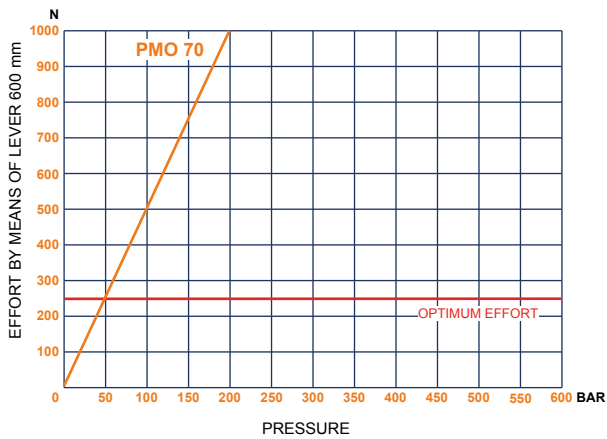
HYDRAULIC MEGASTORE

Serving the Hydraulics Industry Worldwide

Double-acting hand pump for a single-acting cylinder.
 Assembling in-line.
 Displacement: 50 - 70 cc

EFFORT DIAGRAM

pin in E (distance between centers: 51 mm)



Specifications:

- Cast iron body
- Piston treated with Niploy
- White zinc plated support lever
- Lever connection Ø 27
- White zinc plated external parts
- Standard colour blackblack

DISPLACEMENT cm ³	A mm	B mm	C mm	D °	E °	ACTUAL DISPLACEMENT cm ³	PRESSURE BAR		MASS KG	CODE WITH BELLOWS
							OPTIMAL	MAX		
70	--	--	--	45	40	70,233	50	200	5,100	PMO70-S