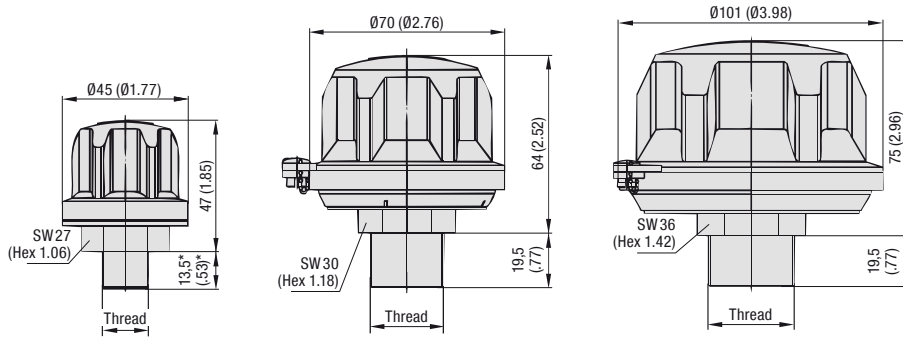


**Plastic Filler Breather - Types SPB 1 / 2 / 3  
(Screw-In Version)**



**SPB 1**

**SPB 2**

**SPB 3**

\* for thread type N12: 16,0 (.63)

(See page E16 for compact version SPBN)

**Characteristics**

Designed to be used as filler ports for hydraulic reservoirs, allowing the reservoir to breathe whilst protecting it from contamination found in harsh environments

**Features**

- Available with 3 different cap diameters
- Screw-in version, equipped with male BSP thread (ISO 228) or male NPT thread (ANSI B1.20.1)
- Operating temperature range: -40 °C ... +120 °C / -40 °F ... +248 °F

**Materials**

- Made of non-corrosive materials
- Body and cap made of glass-fibre reinforced Polyamide (PA)
- Sealings made of NBR (Buna-N®)

Consult STAUFF for alternative materials.

**Accessories / Options**

- Pressurisation up to 0,7 bar / 10 PSI (not available for SPB 1)
- Air filter element
- Anti-splash feature
- Plastic dipstick with integrated anti-splash feature

Please see page E14 for details.

**Maximum Air Flow Rate**

- 0,15 m³/min / 5.30 cfm for SPB 1
- 0,40 m³/min / 14.13 cfm for SPB 2
- 1,00 m³/min / 35.31 cfm for SPB 3

Please see page E15 for detailed air flow curves.

**Oil Displacement**

- 150 l/min / 40 USGPM for SPB 1
- 400 l/min / 106 USGPM for SPB 2
- 1000 l/min / 264 USGPM for SPB 3

**Installation**

- Recommended mounting spaces:
  - Ø48 mm / Ø1.89 in for SPB 1,
  - Ø90 mm / Ø3.54 in for SPB 2, and
  - Ø122 mm / Ø4.80 in for SPB 3

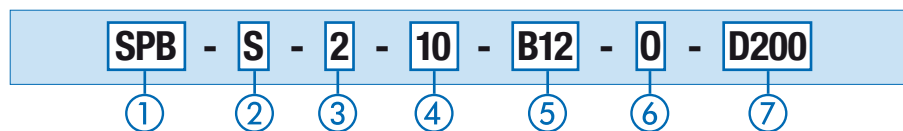
**Thread Options**

Thread	SPB 1	SPB 2	SPB 3	Code
Male BSP Thread (ISO 228)				
G1/4	●	○	○	B04
G3/8	●	●	○	B06
G1/2	●	●	●	B08
G3/4	○	●	●	B12
G1	○	○	●	B16

Thread	SPB 1	SPB 2	SPB 3	Code
Male NPT Thread (ANSI B1.20.1)				
1/4	●	○	○	N04
3/8	●	○	○	N06
1/2	●	○	○	N08
3/4	●	●	●	N12
1	○	○	●	N16

● Standard Option

**Order Codes**



**① Type**

Plastic Filler Breather **SPB**

**② Pressurisation**

Without pressurisation **S**  
 Pressurised at 0,2 bar / 3 PSI **P1**  
 Pressurised at 0,35 bar / 5 PSI **P2**  
 Pressurised at 0,7 bar / 10 PSI **P3**

Type SPB 1 is only available without pressurisation. Please see page E14 for details.

**③ Version**

Screw-in version; Cap diameter Ø45 mm (Ø1.77 in) **1**  
 Screw-in version; Cap diameter Ø70 mm (Ø2.76 in) **2**  
 Screw-in version; Cap diameter Ø101 mm (Ø3.98 in) **3**

**④ Air Filter Element (Material / Micron Rating)**

Without air filter element **00**  
 10 µm Foam / PUR (standard option) **10**  
 40 µm Foam / PUR **40**  
 3 µm Inorganic Glass-Fibre, pleated **E03**  
 10 µm Filter Paper, pleated **L10**

Options E03 and L10 are only available for type SPB 3. Consult STAUFF for alternative materials / micron ratings.

**⑤ Connection Thread (Male)**

G1/4 (for SPB 1 only) **B04**  
 G3/8 (for SPB 1 and 2 only) **B06**  
 G1/2 (for SPB 1, 2 and 3) **B08**  
 G3/4 (for SPB 2 and 3 only) **B12**  
 G1 (for SPB 3 only) **B16**  
 1/4 NPT (for SPB 1 only) **N04**  
 3/8 NPT (for SPB 1 only) **N06**  
 1/2 NPT (for SPB 1 only) **N08**  
 3/4 NPT (for SPB 1, 2 and 3) **N12**  
 1 NPT (for SPB 3 only) **N16**

**⑥ Anti-Splash Feature**

With anti-splash feature (standard option) **A**  
 Without anti-splash feature **0**

The anti-splash feature for the SPB 1, can only be achieved in conjunction with a dipstick, but is not available for the SPB 1 with connection sizes B04 and N04. Please see page E14 for details.

**⑦ Dipstick**

Plastic dipstick (200 mm / 7.88 in) with integrated anti-splash feature **D200**  
 Plastic dipstick (300 mm / 11.81 in) with integrated anti-splash feature **D300**  
 Without dipstick **-**

A shorter dipstick length can be achieved by simply cutting down the total length according to individual requirements. Please see page E14 for details.