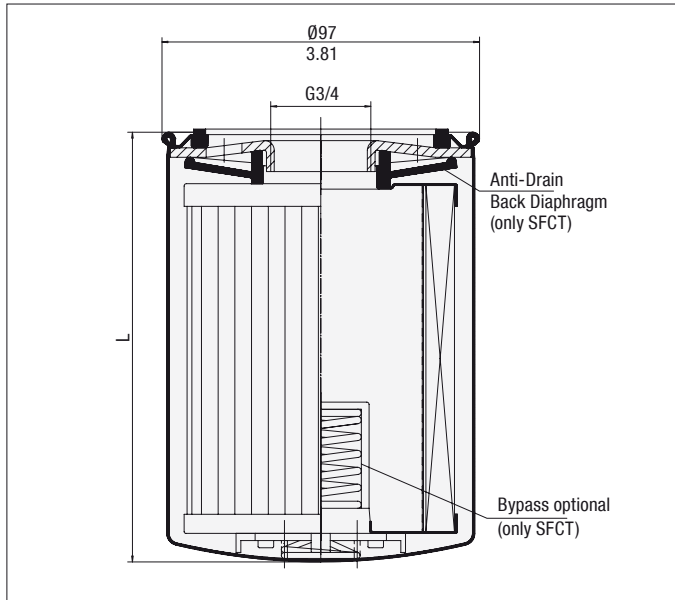


Spin-On Elements ▪ Type SFC-35 / 36 and SFCT-35 / 36



Dimensions in mm / in



Product Description

STAUFF SFC-35/36 series Spin-On Elements are used with the STAUFF SSF-12 Spin-On Filters with G3/4 threaded ports.

STAUFF SFCT-35/36 series Spin-On Elements have an internal 1,7 bar / 25 PSI bypass and anti-drain back diaphragm for use with STAUFF SSF-12 Tank Top Spin-On Filters.

Technical Data

Connection Thread

- G3/4

Operating Pressure

- Max. 12 bar / 174 PSI

Burst Pressure

- Min. 20 bar / 290 PSI

Temperature Range

- -32 °C ... +100 °C / -25 °F ... +212 °F

Seal Contour

- Type A (see page C123)

Differential Pressure

- Paper: Max. 5 bar / 72.5 PSI
Glass Fibre / Wire Mesh: Max. 10 bar / 145 PSI
(for any application with no bypass valve)

Bypass Pressure

- 1,7 bar / 25 PSI (only SFCT-series)

Media Compatibility

- Mineral oils, other fluids on request

Sealing Material

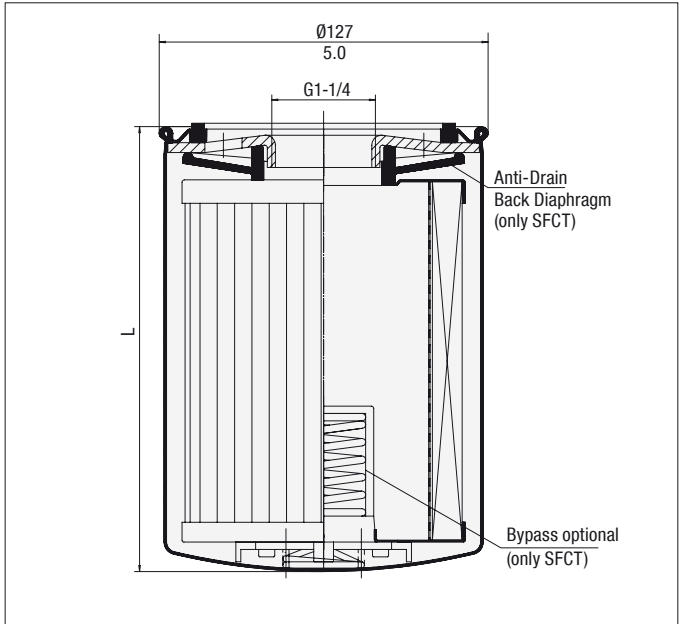
- NBR (Buna-N®)

Dimensions

| Order Code | Filter Paper | | | | Inorganic Glass Fibre | | | | | |
|------------------------------|-------------------------|-------------------------|-------------------------|-------------------------|-----------------------|--------------------|---------------------------|---------------------------|---------------------------|---------------------------|
| | SFC-3510E SFCT-3510E | SFC-3610E SFCT-3610E | SFC-3525E SFCT-3525E | SFC-3625E SFCT-3625E | SFC-3503AE | SFC-3603AE | SFC-3510AE SFCT-3510AE | SFC-3610AE SFCT-3610AE | SFC-3525AE SFCT-3525AE | SFC-3625AE SFCT-3625AE |
| Element without bypass valve | 10µm | 10µm | 25µm | 25µm | 3µm | 3µm | 10µm | 10µm | 25µm | 25µm |
| Element with bypass valve | | | | | | | | | | |
| Length L (mm/in) | 145 5.7 | 210 8.27 | 145 5.7 | 210 8.27 | 145 5.7 | 210 8.27 | 145 5.7 | 210 8.27 | 145 5.7 | 210 8.27 |
| β-Ratio | $\beta_{10} \geq 2$ | $\beta_{10} \geq 2$ | $\beta_{25} \geq 2$ | $\beta_{25} \geq 2$ | $\beta_3 \geq 200$ | $\beta_3 \geq 200$ | $\beta_{10} \geq 200$ | $\beta_{10} \geq 200$ | $\beta_{25} \geq 200$ | $\beta_{25} \geq 200$ |
| Carton Quantity | 1 | 1 | 1 | 1 | 1 | 1 | 1 | 1 | 1 | 1 |
| Carton Weight (kg/lbs) | 0,9 2 | 1,3 2,6 | 0,9 2 | 1,3 2,6 | 0,9 2 | 1,3 2,6 | 0,9 2 | 1,3 2,6 | 0,9 2 | 1,3 2,6 |

| Order Code | Wire Mesh | | Brass Mesh | |
|------------------------------|-------------------------|-------------------------|---------------------------|---------------------------|
| | SFC-3560E SFCT-3560E | SFC-3660E SFCT-3660E | SFC-35125E SFCT-35125E | SFC-36125E SFCT-36125E |
| Element without bypass valve | 60µm | 60µm | 125µm | 125µm |
| Element with bypass valve | | | | |
| Length L (mm/in) | 145 5.7 | 210 8.27 | 145 5.7 | 210 8.27 |
| β-Ratio | n/a | n/a | n/a | n/a |
| Carton Quantity | 1 | 1 | 1 | 1 |
| Carton Weight (kg/lbs) | 0,9 2 | 1,3 2,6 | 0,9 2 | 1,3 2,6 |

Spin-On Elements ▪ Type SFC-57 / 58 and SFCT-57 / 58



Dimensions in mm / in

Product Description

STAUFF Spin-On Filter Elements of the SFC-/SFCT-57/58 series are used with the STAUFF SSF-20/24/25/100/120/130 and 160 series Spin-On Filters with G1-1/4 threaded ports.

STAUFF SFCT-57/58 series Spin-On Elements have an internal, 1,7 bar / 25 PSI bypass and anti-drain back diaphragm for use with STAUFF SSFT-20 Tank Top Spin-On Filters.

Technical Data

Connection Thread

- G1-1/4

Operating Pressure

- Max. 12 bar / 174 PSI

Burst Pressure

- Min. 17 bar / 247 PSI

Temperature Range

- -32 °C ...+100 °C / -25 °F ... +212 °F

Seal Contour

- Type A (see page C123)

Differential Pressure

- Paper: Max. 5 bar / 72.5 PSI
Glass Fibre / Wire Mesh: Max. 10 bar / 145 PSI
(for any application with no bypass valve)

Bypass Pressure

- 1,7 bar / 25 PSI
(only SFCT-series)

Media Compatibility

- Mineral oils, other fluids on request

Dimensions

| Order Code | Filter Paper | | | | Inorganic Glass Fibre | | | | | |
|---------------------------|------------------------------|---------------------|---------------------|---------------------|-----------------------|--------------------|-----------------------|-----------------------|-----------------------|-----------------------|
| | Element without bypass valve | SFC-5710E | SFC-5810E | SFC-5725E | SFC-5825E | SFC-5703AE | SFC-5803AE | SFC-5710AE | SFC-5810AE | SFC-5725AE |
| Element with bypass valve | SFCT-5710E | SFCT-5810E | SFCT-5725E | SFCT-5825E | SFCT-5703AE | SFCT-5803AE | SFCT-5710AE | SFCT-5810AE | SFCT-5725AE | SFCT-5825AE |
| | | | | | | | | | | |
| Length L (mm/in) | 177 6.97 | 226 8.9 | 177 6.97 | 226 8.9 | 177 6.97 | 226 8.9 | 177 6.97 | 226 8.9 | 177 6.97 | 226 8.9 |
| β-Ratio | $\beta_{10} \geq 2$ | $\beta_{10} \geq 2$ | $\beta_{25} \geq 2$ | $\beta_{25} \geq 2$ | $\beta_3 \geq 200$ | $\beta_3 \geq 200$ | $\beta_{10} \geq 200$ | $\beta_{10} \geq 200$ | $\beta_{25} \geq 200$ | $\beta_{25} \geq 200$ |
| Carton Quantity | 1 | 1 | 1 | 1 | 1 | 1 | 1 | 1 | 1 | 1 |
| Carton Weight (kg/lbs) | 1,4 3 | 1,85 4 | 1,4 3 | 1,85 4 | 1,4 3 | 1,85 4 | 1,4 3 | 1,85 4 | 1,4 3 | 1,85 4 |

| Order Code | Wire Mesh | | Brass Mesh | |
|---------------------------|------------------------------|------------|-------------|-------------|
| | Element without bypass valve | SFC-5760E | SFC-5860E | SFC-57125E |
| Element with bypass valve | SFCT-5760E | SFCT-5860E | SFCT-57125E | SFCT-58125E |
| | | | | |
| Length L (mm/in) | 177 6.97 | 226 8.9 | 177 6.97 | 226 8.9 |
| β-Ratio | n/a | n/a | n/a | n/a |
| Carton Quantity | 1 | 1 | 1 | 1 |
| Carton Weight (kg/lbs) | 0,9 2 | 1,3 2,6 | 0,9 2 | 1,3 2,6 |