

# Stainless Steel Cylinders ISO 15552

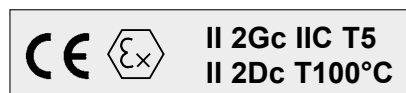
Bores from 32 to 200 mm

Double acting



Standard executions		
Version	Symbol	Type
MAGNETIC STANDARD		AMX

For the magnetic reed switches type ASV see from page 1.110.1.  
 For coupling cylinders/reed switches/brackets see table on page 1.120.5  
 For mounting accessories see from page 5.40.1  
 For rod accessories see from page 5.20.1.



On request, they can be supplied according to 94/9/EC - ATEX

Lubrication with synthetic grease long lasting for applications with low start up, granting low friction and a permanent lubrication film. Fully composed by non-toxic elements conforming to directive FDA section 21 CFR 178 about accidental contact with food ( registered NSF H1 ).

*New*

*Stainless Steel*



New series of stainless steel 316 L cylinders conforming to ISO15552.

Round tube and external tie-rods, standard with adjustable cushionings.

Scraper ring in polyurethane specially developed for chemical and food industries.

The main features of this cylinder are the “clean” modern design and the attention to details.

A particular attention has been given to the manufacture of the end caps; there are no external casting cavities, thus eliminating contamination traps.

In order to facilitate the replacement of the piston rod seal the nose has been developed for simple maintenances also on cylinders still mounted on a machine.

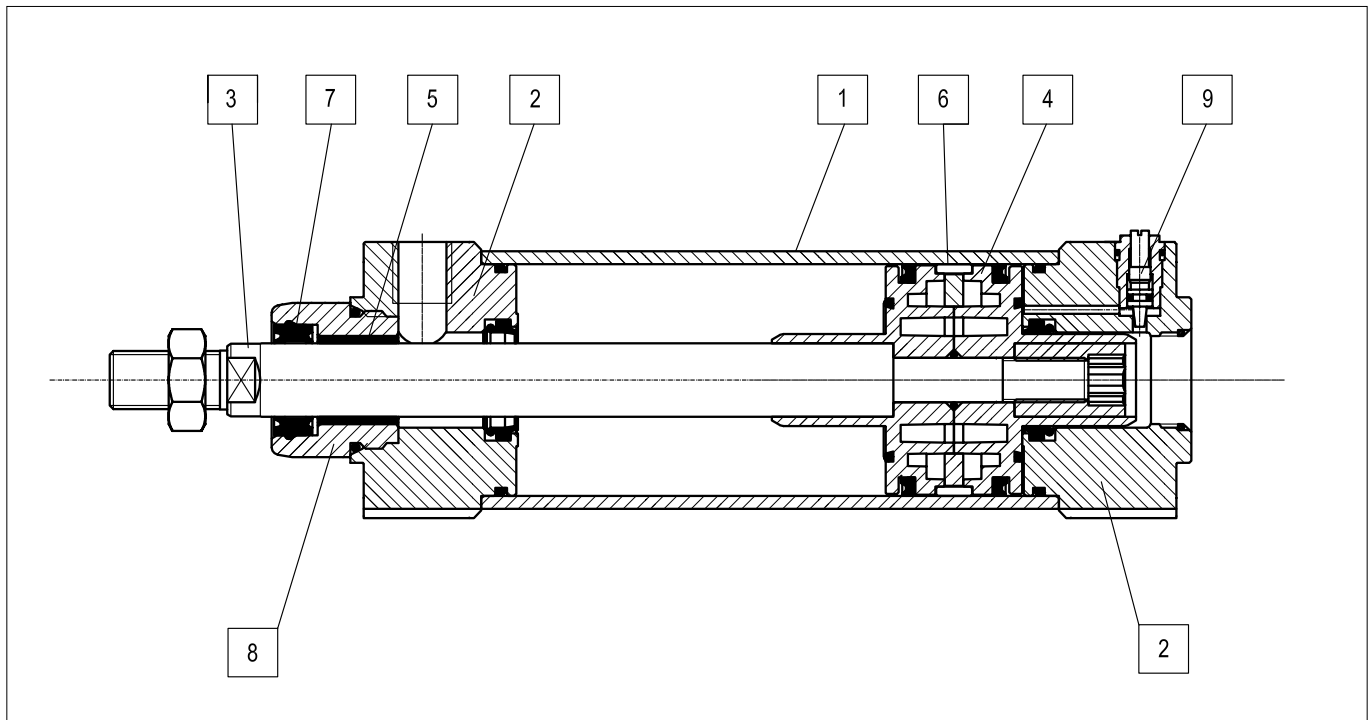
Options	Suffix
Through rod (pag. 5.5.4)	P
Seals FKM max 150 °C (scraper ring only = V1)	V
Tandem forward movement piston rods coupled together (pag. 5.5.5)	TA1
Tandem forward movement piston rods independent (pag. 5.5.5)	TA2
Tandem back to back (pag. 5.5.5)	TA3
Tandem front to front (pag. 5.5.5)	TA4
Extended rod (indicate the requested WH dimension in mm. E.g.: WH -100)	WH-...
Without adjustable cushionings	D
Adjustable rear cushioning only	D1
Adjustable front cushioning only	D2
Special male thread (indicate the requested thread. E.g. : R-M 10x1,5). The dimension AM of the special thread will be the same as the standard. The cylinder will be supplied without rod nut.	R-M...
Female thread; for dimensions see page 5.5.4	F
With bellows for protection of the rod (in this case the dimension WH will be extended according the stroke of the cylinder)	Z
Special on request	/S

The options can be combined (when this is possible).

The suffix of the options are to be added to the model number of the standard product, as shown in the following table.

How to order: 63 / 100 AMXPVR-M12x1,25

63	/	100	AMX	P	V	R-M12X1,25
Bore	/	Stroke	Type	Option	Option	Option



#### Materials (standard types)

1	Tube and tie-rods	Stainless steel AISI 316L
2	Heads	Stainless steel AISI 316L
3	Rod	Stainless steel AISI 316L, lapped
4	Piston	Die-cast aluminium
5	Bushing	Self-lubricating sintered bronze
6	Guide ring	Natural Delrin
7	Rod seals	Special polyurethane
8	Disassembling nose	Stainless steel AISI 316L
9	Group cushioning screw	Stainless steel AISI 316L
Other seals		Nitrile rubber NBR/polyurethane

#### Technical data

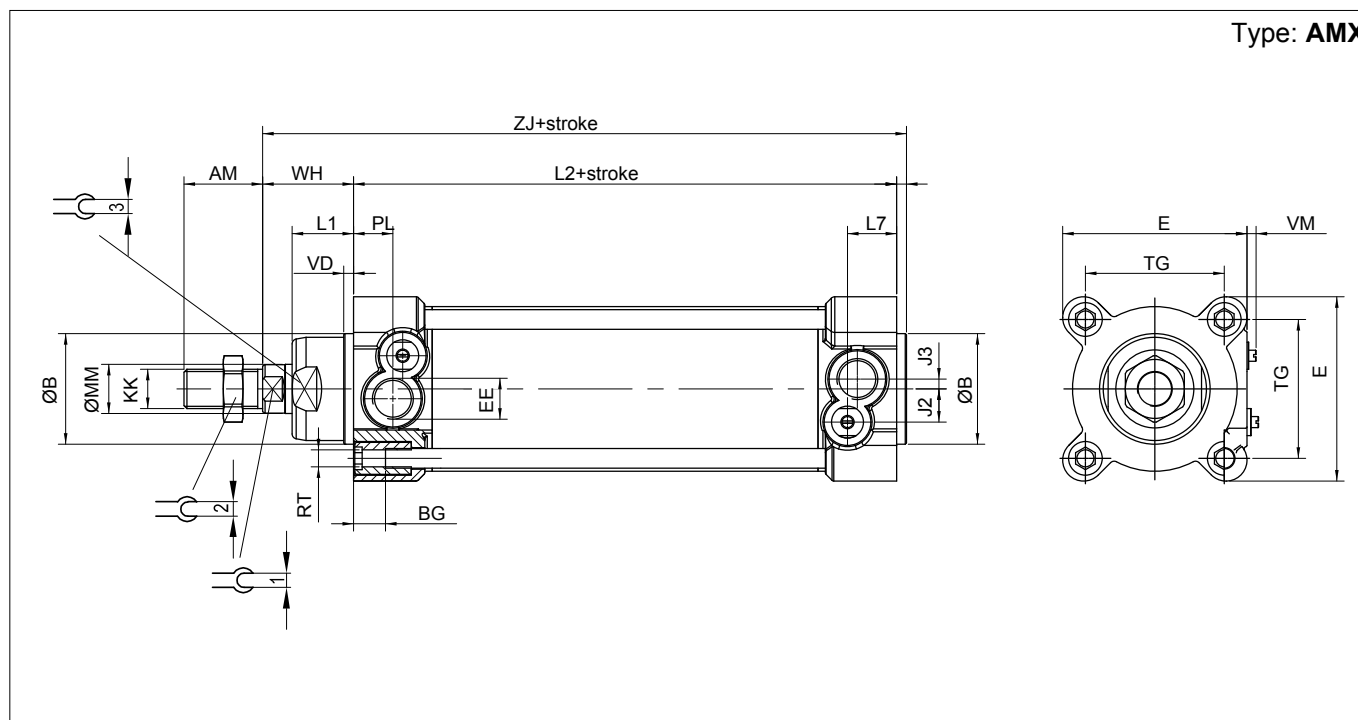
Bore (mm)	32	40	50	63	80	100	125	160	200	
Fluid	Compressed filtered air with or without lubrication. Lubrication, if started, must be continued.									
Pressure	0,5 ÷ 10 bar									
Temperature range	-20 °C ÷ +80 °C									
Stroke	from 10 mm to 2500 mm									
Cushion lenght	20	22	25	25	35	35	35	48	48	
Ports	1/8"	1/4"		3/8"		1/2"		3/4"		
Rod thread	M10 x 1,25	M12 x 1,25	M16 x 1,5		M20 x 1,5		M27 x 2	M36 x 2		
Weight	Stroke zero (g)	860	1350	2290	2940	4960	7030	12730	24780	31320
	Additional 10 mm Stroke (g)	27	35	61	66	106	116	214	331	478

# Stainless Steel Cylinders ISO 15552

Bores from 32 to 200 mm Standard dimensions



Type: **AMX**



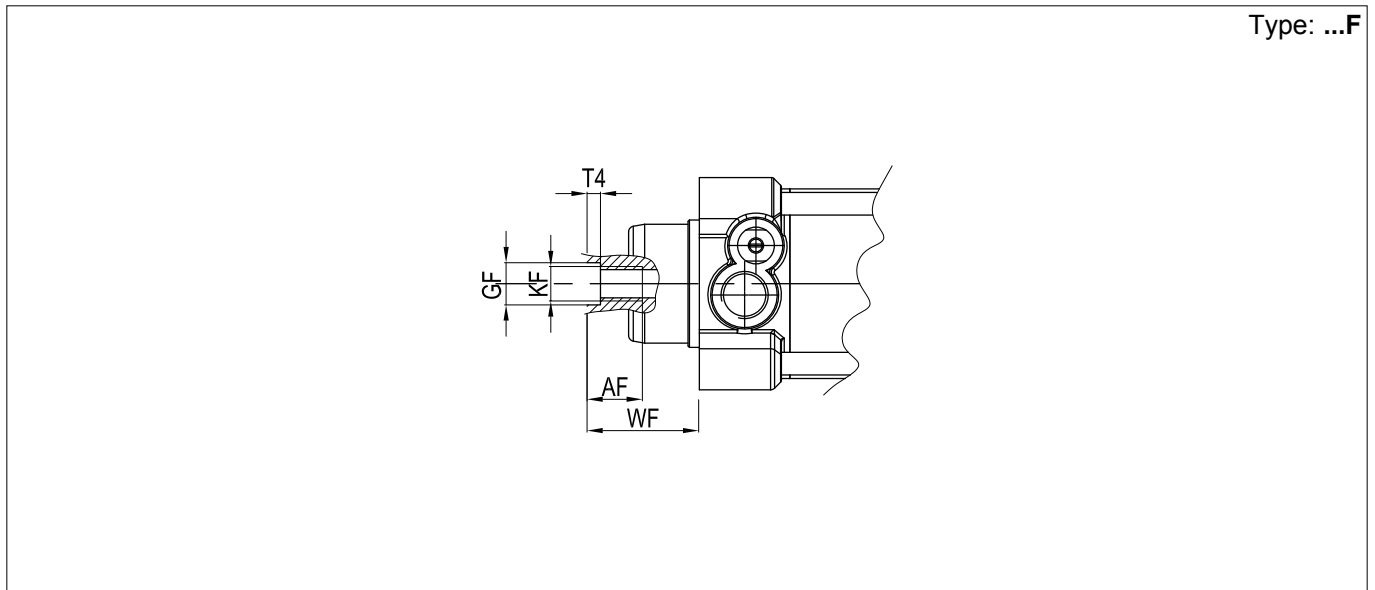
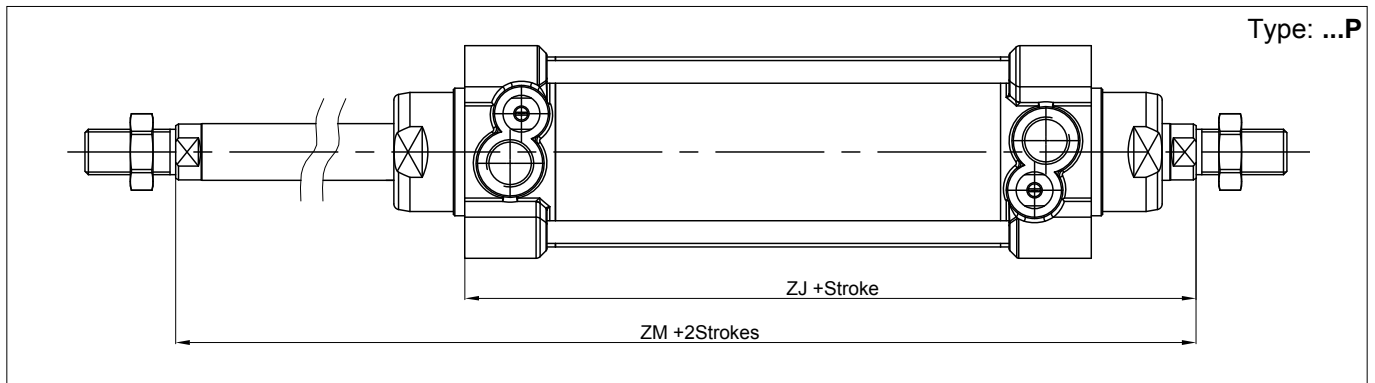
Ø (mm)	AM	B Ø d11	BG	E	EE	J2	J3	KK	L1	L2	H
32	22	30	15	47	G1/8	6	5	M10x1,25	20	94	8
40	24	35	15	52	G1/4	7.5	5	M12x1,25	22	105	6
50	32	40	16	65	G1/4	9.5	7,5	M16x1,5	26	106	8
63	32	45	15	75	G3/8	13.5	4	M16x1,5	25	121	8
80	40	45	17	95	G3/8	13.5	6	M20x1,5	32	128	10
100	40	55	17	115	G1/2	15	6	M20x1,5	38	138	10
125	54	60	21	140	G1/2	17	8	M27x2	40	160	14
160	72	65	23	180	G3/4	17	15	M36x2	50	180	14
200	72	75	23	220	G3/4	17	15	M36x2	65	180	14

Ø (mm)	L7	MM Ø f7	PL	RT	TG	VA	VD	WH	ZJ	1	2	3
32	17.5	12	10	M6	32,5	4	4	26	124	10	17	27
40	21.5	16	15	M6	38	4	4	30	139	13	19	32
50	20	20	15	M8	46,5	4	4	37	147	17	24	36
63	20	20	16	M8	56,5	4	4	37	162	17	24	38
80	27	25	20	M10	72	4	4	46	178	22	30	42
100	28.5	25	23.5	M10	89	4	4	51	193	22	30	50
125	31.5	32	23.5	M12	110	5	5	65	230	27	41	52
160	33	40	27.5	M16	140	6	8	80	266	36	55	60
200	35	40	27	M16	175	6	8	95	281	36	55	70

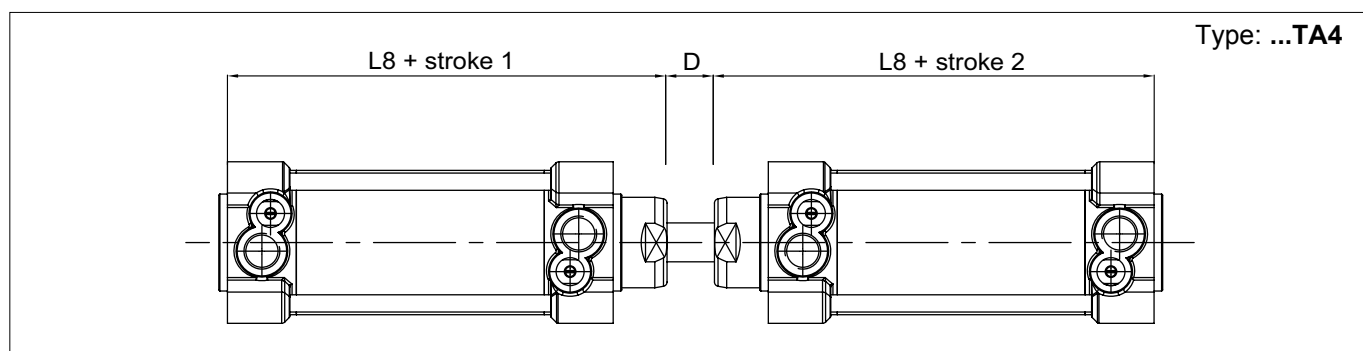
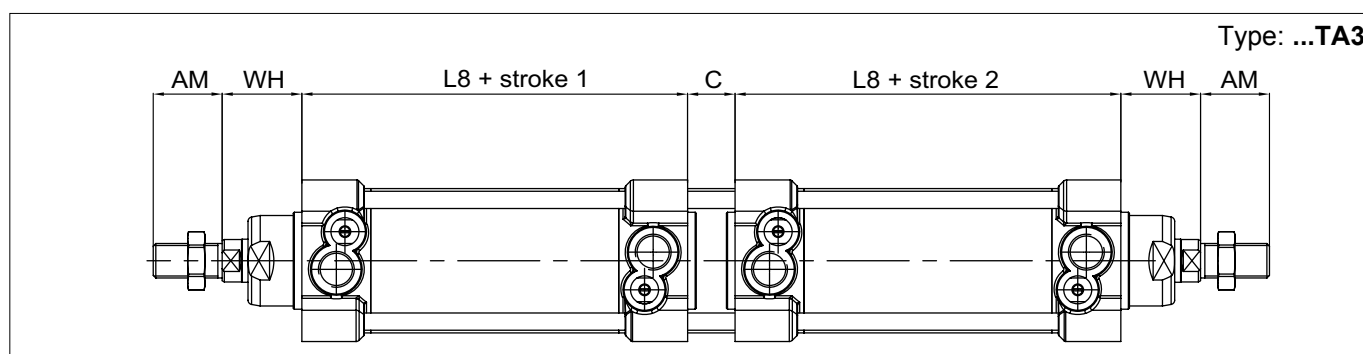
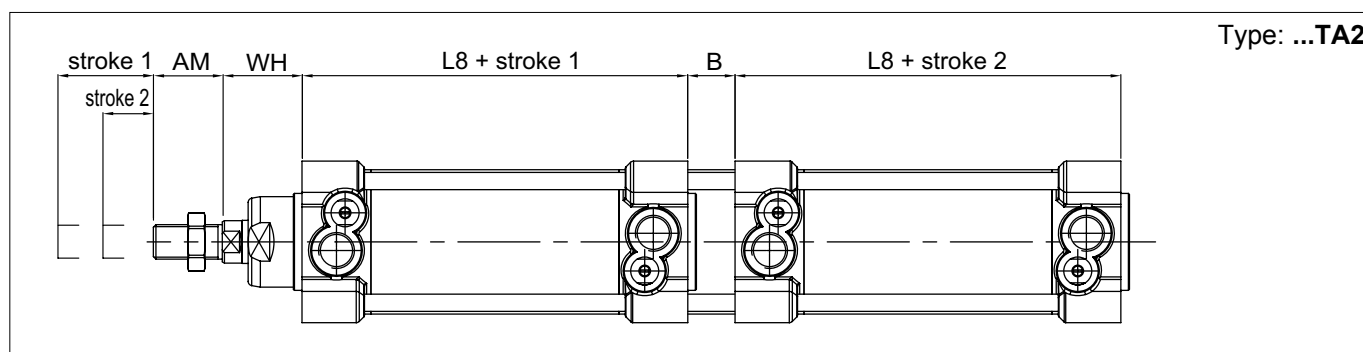
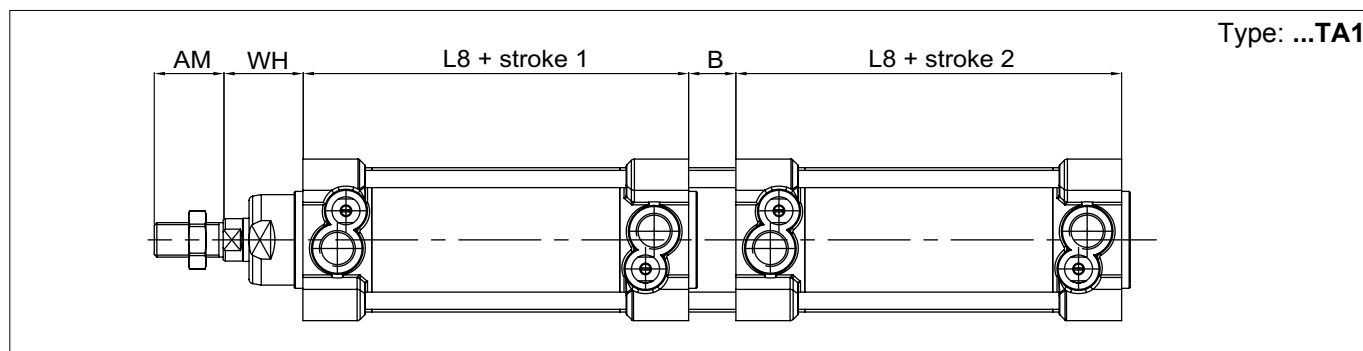
# Stainless Steel Cylinders ISO 15552

Bores from 32 to 200 mm

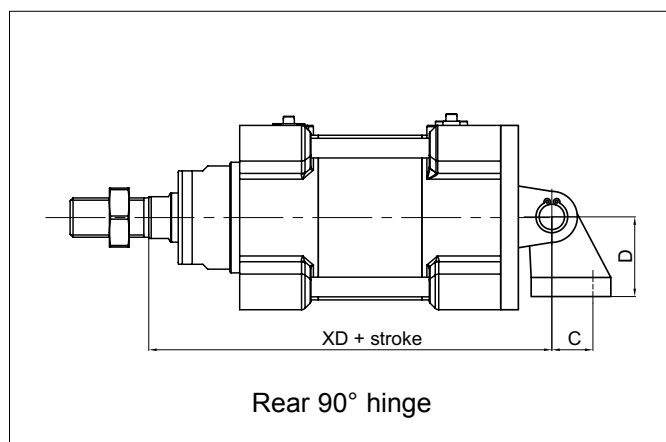
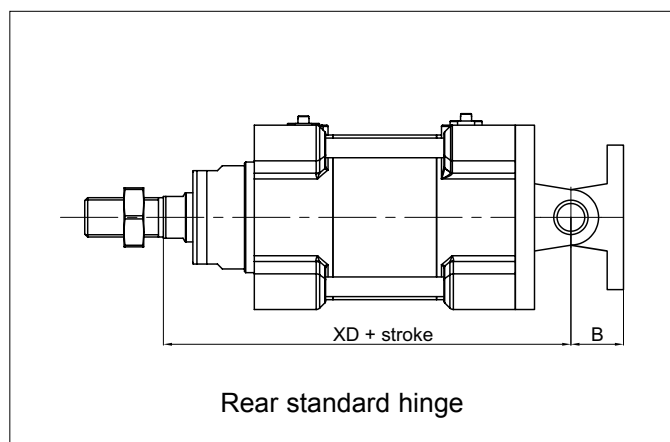
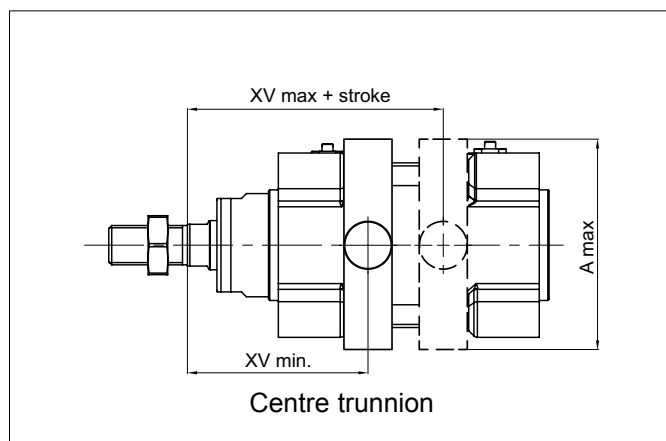
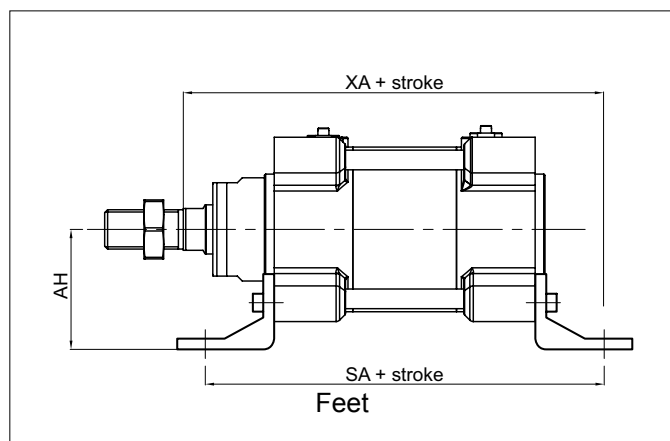
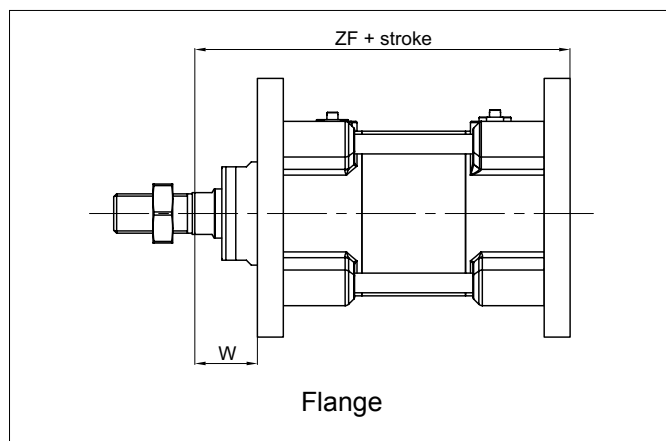
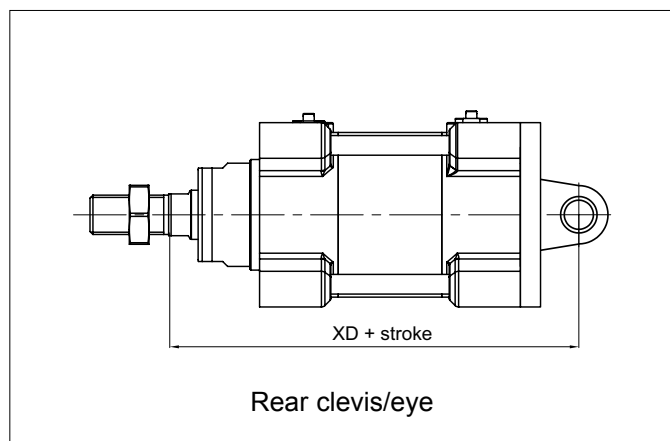
Options



Ø mm	AF	KF	T4	WF	WH	ZJ	ZM
32	12	M6	2,6	26	8	120	146
40	12	M8	3,3	30	10	135	165
50	16	M10	4,7	37	12	143	180
63	16	M10	4,7	37	12	158	195
80	20	M12	6,1	46	14	174	220
100	20	M12	6,1	51	14	189	240
125	32	M16	8	65	18	225	290
160	36	M20	10	80	22	260	340
200	36	M20	10	95	22	275	370



Ø mm	AM	B	C	D	L8	WH
32	22	40	12	48	94	26
40	24	44	12	54	105	30
50	32	52	16	69	106	37
63	32	50	16	69	121	37
80	40	64	20	86	128	46
100	40	76	20	91	138	51
125	54	80	35	120	160	65
160	72	100	50	152	180	80
200	72	130	50	167	180	95



For dimensions and codes of the accessories: see page 5.40.1

Ø mm	A max	AH	B	C	D	SA	W	XA	XD	XV min	XV max	ZF
32	70	32	22	21	32	142	16	144	142	60	86	130
40	78	36	25	24	36	161	20	163	160	69	96	145
50	91	45	27	33	45	170	25	175	170	78	102	155
63	94	50	32	37	50	185	25	190	190	82	113	170
80	130	63	36	47	63	210	30	215	210	97	123	190
100	145	71	41	55	71	220	35	230	230	107	133	205
125	170	90	50	70	90	250	45	270	275	126,5	163,5	245
160	190	115	55	/	/	300	55	305	315	150	190	285
200	240	135	60	/	/	320	70	322,5	335	165	205	300