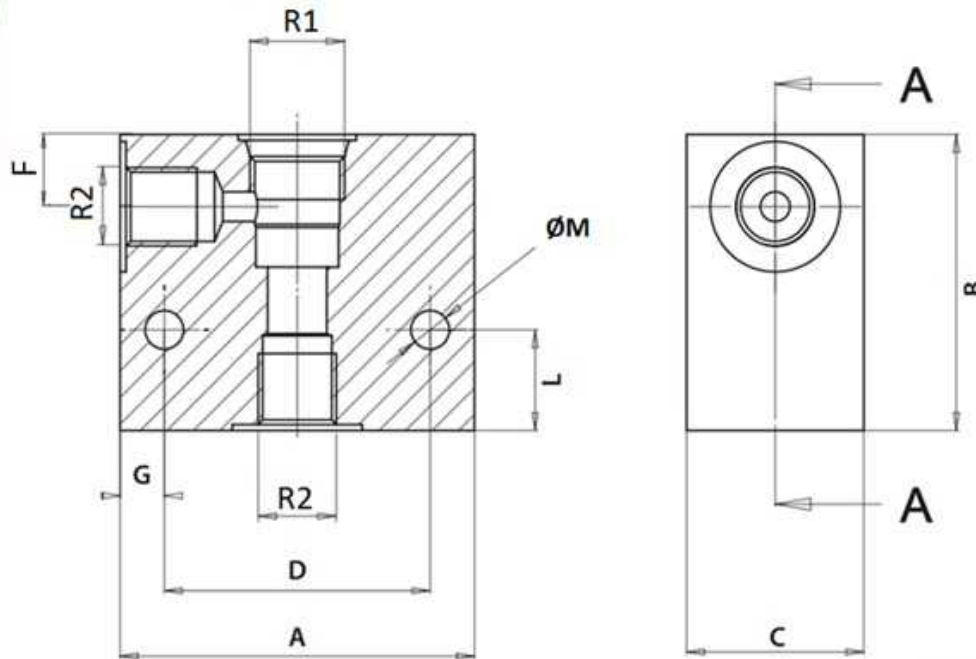


Hydraulic valves

Hydraulic valves with electric drive

## Block 2 ways

Page: 1/1



**Materials:** body in aluminium

**Max.pressure:** 250 bar

Part n°	R1	R2	Size	ØM	A	B	C	D	F	G	L
<b>CVE08F</b>	3/4-16UNF	3/8" BSP	SAE 08	6,5	60	50	30	45	14	7,5	15
<b>CVE10F38</b>	7/8-14UNF	3/8" BSP	SAE 10	6,5	60	50	30	45	17,5	7,5	15
<b>CVE10F</b>	7/8-14UNF	1/2" BSP	SAE 10	6,5	60	50	30	45	17,5	7,5	15
<b>CVE12F</b>	1"1/16-12UNF	3/4" BSP	SAE 12	6,5	70	70	50	54	26	8	15