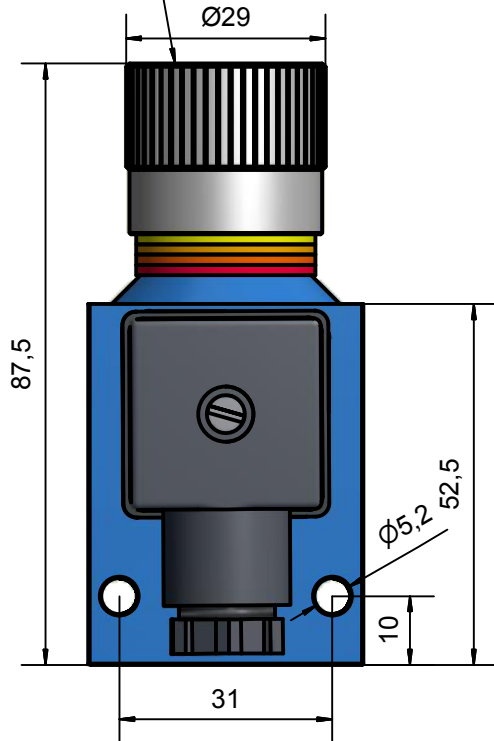


K5_P

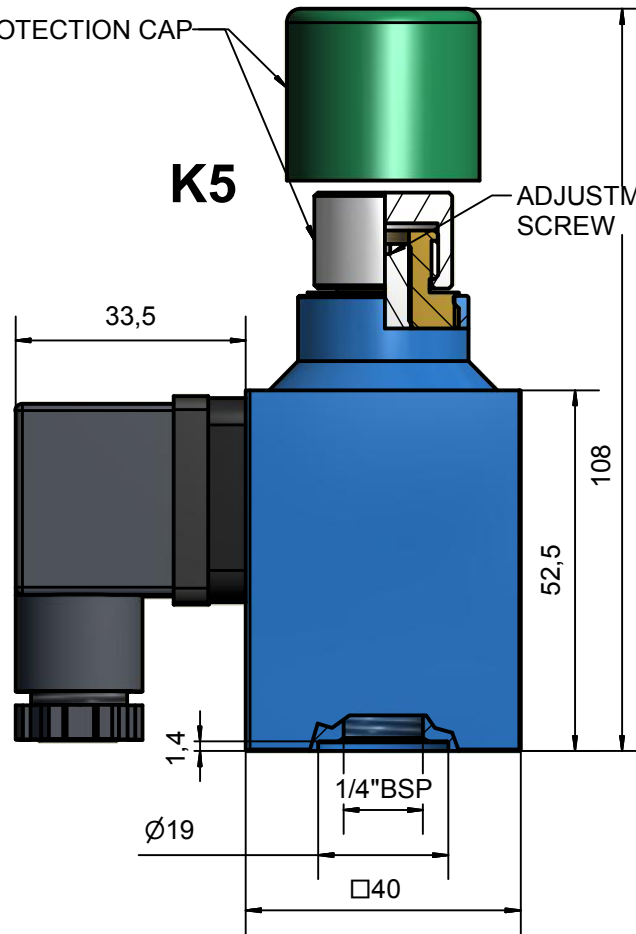
Locking screw



PROTECTION CAP

K5

ADJUSTMENT SCREW



PRESSURE SWITCH **K5 and K5P**

General

Assembly : every position

Features

Working temperature : -20 °C / 80°C

Switching frequency : 120 cycles/min

Switching accuracy : ~2% of full scale value @ 20°C

Fixed hysteresis : ~15% of full scale value @ 20 °C

Ranges: from 2 to 400 Bar

Setting point: (ON REQUEST)

Weight : 0,35 kg

Materials

Anodized aluminum

Seals : NBR

Connections

1/4\"BSPF

Cetop flange (no adapter needed)

Electric features

Max load : 5A / 250 VAC - 0,25A / 250 VDC

Contacts NO/NC

Connector DIN 43650

Protection DIN 40050 : IP65

ALL DIMENSION ARE IN MILLIMETER EXCEPT WHERE OTHERWISE NOTED 	Date 04/09/2017	Name: ec	DESCRIPTION: K5 range of pressure switches	SCALE: 1:1
	CHECKED: 04/09/2017	AA		
	APPROVED:			
Projection:ISO128 	FOX S.r.l. Via Romagna 6 20090 Opera (MI) ITALY		DRAWING No/FILE NAME K55 DataSheet	SHEET 1 of 1

THIS DRAWING IS PROPERTY OF FOX S.r.l. COPYRIGHT , PATENTS AND ALL INDUSTRIAL PROPERTY RIGHTS RESERVED